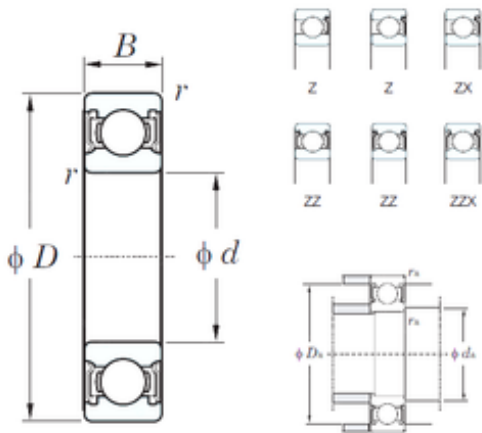




Liaocheng VERA Bearing Co., Ltd.



6000zz Bearing 2D drawings and 3D CAD models

NSK NTN Koyo SKF Timken Deep Groove
Ball Bearing 6000zz 6204 6206 2RS 6304lu 6004
6205 6203 6203dul1 6000zz 6001 6002 6005
6006-18 6200 10309 6201 6202c4 6207

Bearing No. 6000zz

Size	10x26x8 mm
Bore Diameter	10 mm
Outer Diameter	26 mm
Width	8 mm
d	10 mm
D	26 mm
B	8 mm
C	8 mm
r min.	0,3 mm
da min.	12 mm
da max	13 mm
Da max.	24 mm
ra max.	0,3 mm
Weight	0,019 Kg
Basic dynamic load rating (C)	4,55 kN
Basic static load rating (C0)	1,95 kN
(Grease) Lubrication Speed	31000 r/min
Category	Single Row Ball Bearings
Inventory	0.0
Manufacturer Name	KOYO
Minimum Buy Quantity	N/A
Weight / Kilogram	0.021
Product Group	B00308



Liaocheng VERA Bearing Co., Ltd.

Enclosure	2 Metal Shields
Precision Class	ABEC 1 ISO P0
Maximum Capacity / Filling Slot	No
Rolling Element	Ball Bearing
Snap Ring	No
Internal Special Features	No
Cage Material	Steel
Internal Clearance	C0-Medium
Inch - Metric	Metric
Long Description	10MM Bore; 26MM Outside Diameter; 8MM Outer Race Width; 2 Metal Shields; Ball Bearing; ABEC 1 ISO P0; No Filling Slot; No Snap Ring; No Internal Special Features; C0-Medium Internal Clearance; Steel
Other Features	Deep Groove
Category	Single Row Ball Bearing
UNSPSC	31171504
Harmonized Tariff Code	8482.10.50.68
Noun	Bearing
Keyword String	Ball
Manufacturer URL	http://www.koyousa.com
Weight / LBS	0.0418
Bore	0.394 Inch 10 Millimeter
Outside Diameter	1.024 Inch 26 Millimeter
Inner Race Width	0 Inch 0 Millimeter
Outer Race Width	0.315 Inch 8 Millimeter